

COOLER RANGE



- API PLAN 21
- API PLAN 23
- API 682 COMPLIANT
- HIGH HEAT DUMP
- WIDE RANGE OF MATERIALS OF CONSTRUCTION
- EASE OF CLEANING

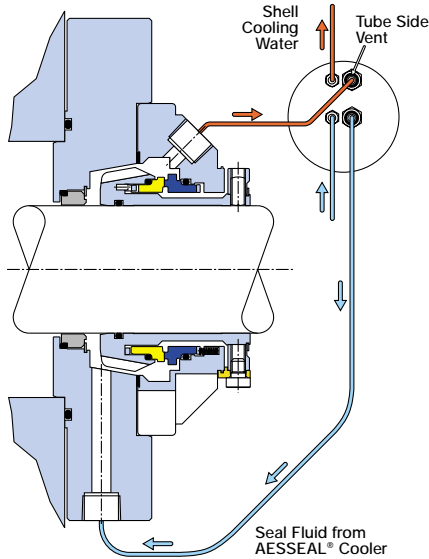
AESSEAL® - Cooler Range

AES-15X6C™

AES-25X6C™

AES-27X6C™

The Materials of Construction of the Standard Units are Cast Iron Casing and 316 Stainless Steel Tube. Cast Steel Casing, Cast 316 Stainless Steel, ASME construction & stamp are available on request.



Installation Kit

The Kits are supplied as a package to be used in conjunction with the SMSS23™ Seal. The finished kit is shipped complete with 2 x 1/2" NPT Female Threaded ports for Feed & Return of Cooling Water, 2 x 1/2" Stainless Steel Compression fittings for Seal Fluid Feed & Return, and 2 x 3/8" NPT Stainless Steel Stud Connectors to facilitate pipework at the Seal. In addition, the Kit is shipped with a Case-Side Vent and a Tube-Side Vent.

N.B. By changing the prefix from AES to AES23 on any of the above models, the unit will be despatched in kit form, i.e. AES-15X6C model becomes AES23-15X6C model kit.



SMSS23™

AESSEAL® - cooler range specifications

Model	Surface Area	Tube Dia.	Coil Length	Shell Equ. Length	Max I/Min @ 3 m/s (Max GPM @ 9 ft/s)	
					Coil	Casing
AES-15X6C	0.13m ² (1.44Ft ²)	10mm (3/8")	4.47m (176")	1.60m (64")	31.00 (6.75)	35.00 (7.68)
AES-25X6C	0.23m ² (2.56Ft ²)	6mm (1/4")	12.00m (472")	1.70m (68")	25.80 (5.67)	40.40 (8.88)
AES-27X6C	0.25m ² (2.75Ft ²)	12mm (1/2")	6.40m (252")	1.98m (78")	64.70 (14.22)	52.80 (11.60)

Model	Allowable Working Temperature / Pressure					
	Shellside	Tubeside				
AES-15X6C	177°C @ 6barg (350°F @ 89psig)	93°C @ 138barg (200°F @ 2000psig)	149°C @ 135barg (300°F @ 1950psig)	204°C @ 130barg (400°F @ 1900psig)	316°C @ 125barg (600°F @ 1800psig)	427°C @ 118barg (800°F @ 1700psig)
AES-25X6C	177°C @ 6barg (350°F @ 89psig)	93°C @ 138barg (200°F @ 2000psig)	149°C @ 135barg (300°F @ 1950psig)	204°C @ 130barg (400°F @ 1900psig)	316°C @ 125barg (600°F @ 1800psig)	427°C @ 118barg (800°F @ 1700psig)
AES-27X6C	177°C @ 5.7barg (350°F @ 83psig)	93°C @ 90barg (200°F @ 1300psig)	149°C @ 86barg (300°F @ 1250psig)	204°C @ 85barg (400°F @ 1225psig)	316°C @ 80barg (600°F @ 1150psig)	427°C @ 76barg (800°F @ 1100psig)

THIS DOCUMENT IS DESIGNED TO PROVIDE DIMENSIONAL INFORMATION AND AN INDICATION OF AVAILABILITY. FOR FURTHER INFORMATION AND SAFE OPERATING LIMITS CONTACT OUR TECHNICAL SPECIALISTS AT THE LOCATIONS BELOW.

WINNER OF THE
NATWEST
SUNDAY TIMES
COMPANY OF
TOMORROW
AWARD



INVESTOR IN PEOPLE

USE DOUBLE MECHANICAL SEALS WITH HAZARDOUS PRODUCTS. ALWAYS TAKE SAFETY PRECAUTIONS:

- GUARD YOUR EQUIPMENT
- WEAR PROTECTIVE CLOTHING



WARNING

AESSEAL plc
Mill Close
Templeborough
Rotherham
S60 1BZ
United Kingdom

Telephone: +44 (0) 1709 369966
Fax: +44 (0) 1709 720788
E-mail: seals@aes seal.com
Internet: http://www.aes seal.com

POLYFLON® quality systems
Handelsgesellschaft m. b. H.

YOUR POINT OF CONTACT FOR SEALING APPLICATIONS!

8020 Graz Baumkircherstraße 3
Tel.: +43(0)316/71 10 89
Fax: +43(0)316/71 89 55
www.polyflon.at

2371 Hinterbrühl Gädinerstraße 36b
Tel.: +43(0)2236/26 718
Fax: +43(0)2236/46 811
office@polyflon.at

USA Sales & Technical advice:
AESSEAL Inc.
10231 Cogdill Road
Suite 105
Knoxville, TN 37932
USA
Telephone: 865 531 0192
Fax: 865 531 0571

Sales & Technical advice:
AESSEAL (MCK) Ltd.
139A Hillsborough Old Road
Lisburn
N.Ireland
BT27 5QE
Telephone: +44 (0) 28 9266 9966
Fax: +44 (0) 28 9266 9977
Tel/Fax Hotline: +44 (0) 28 9266 9988
E-mail: MCK@aes seal.co.uk